

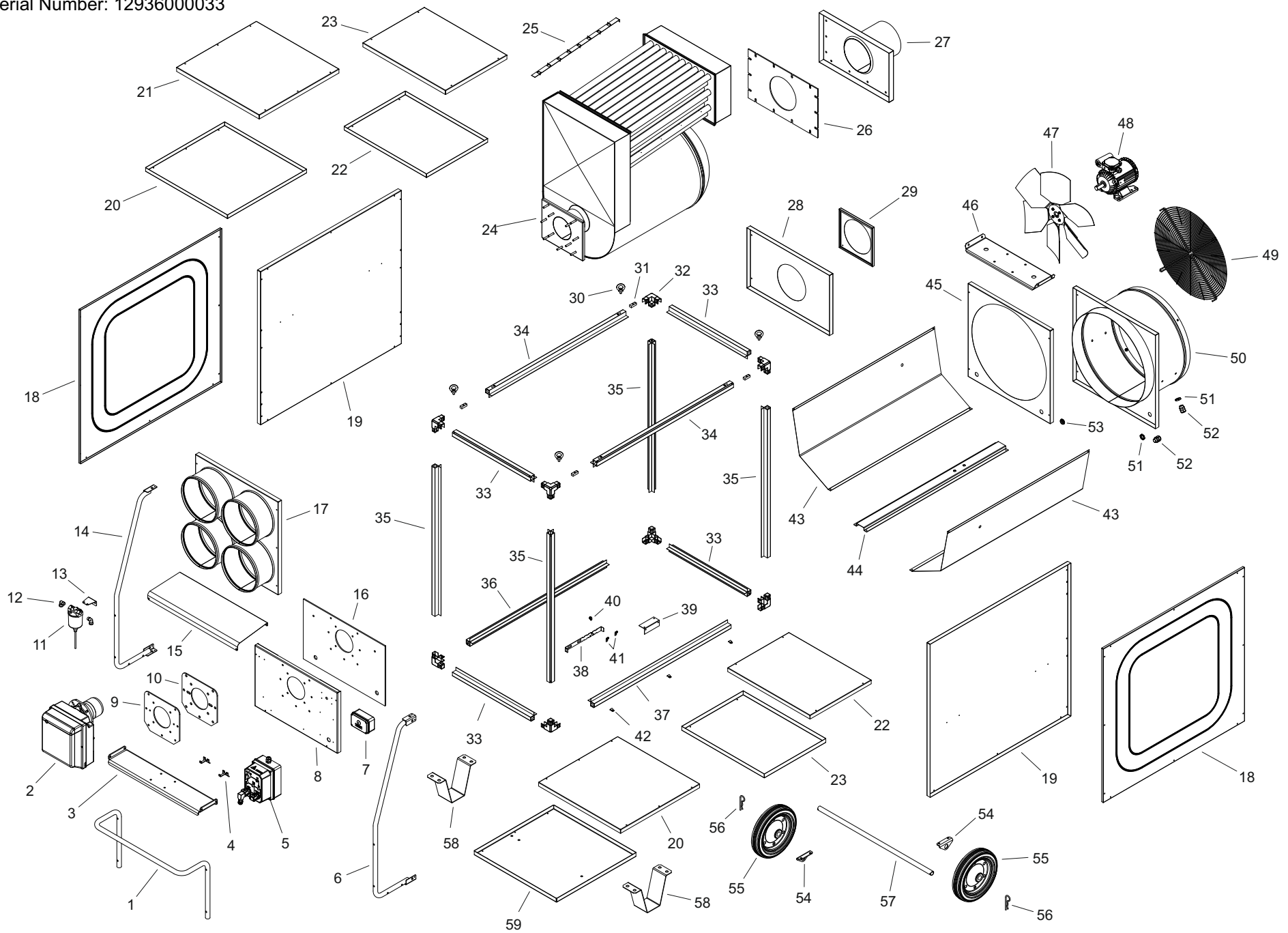
MODEL BV 470 FS

UNIT 1

ILLUSTRATED PARTS BREAKDOWN

From Serial Number: 12936000033

Rev.A - Nov. 2016

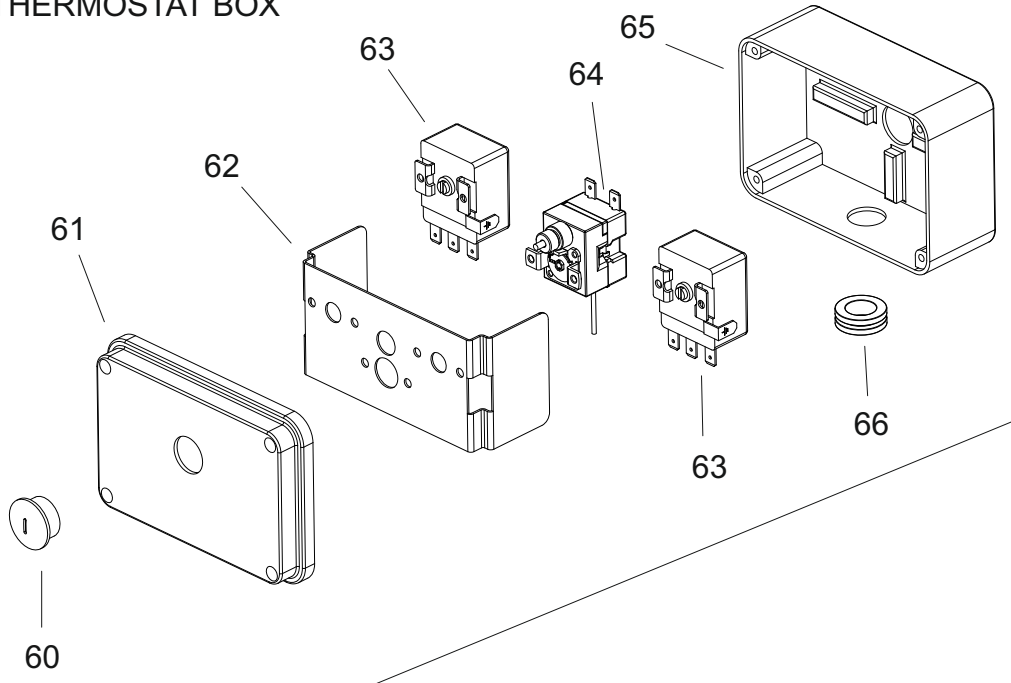


MODEL BV 470 FS

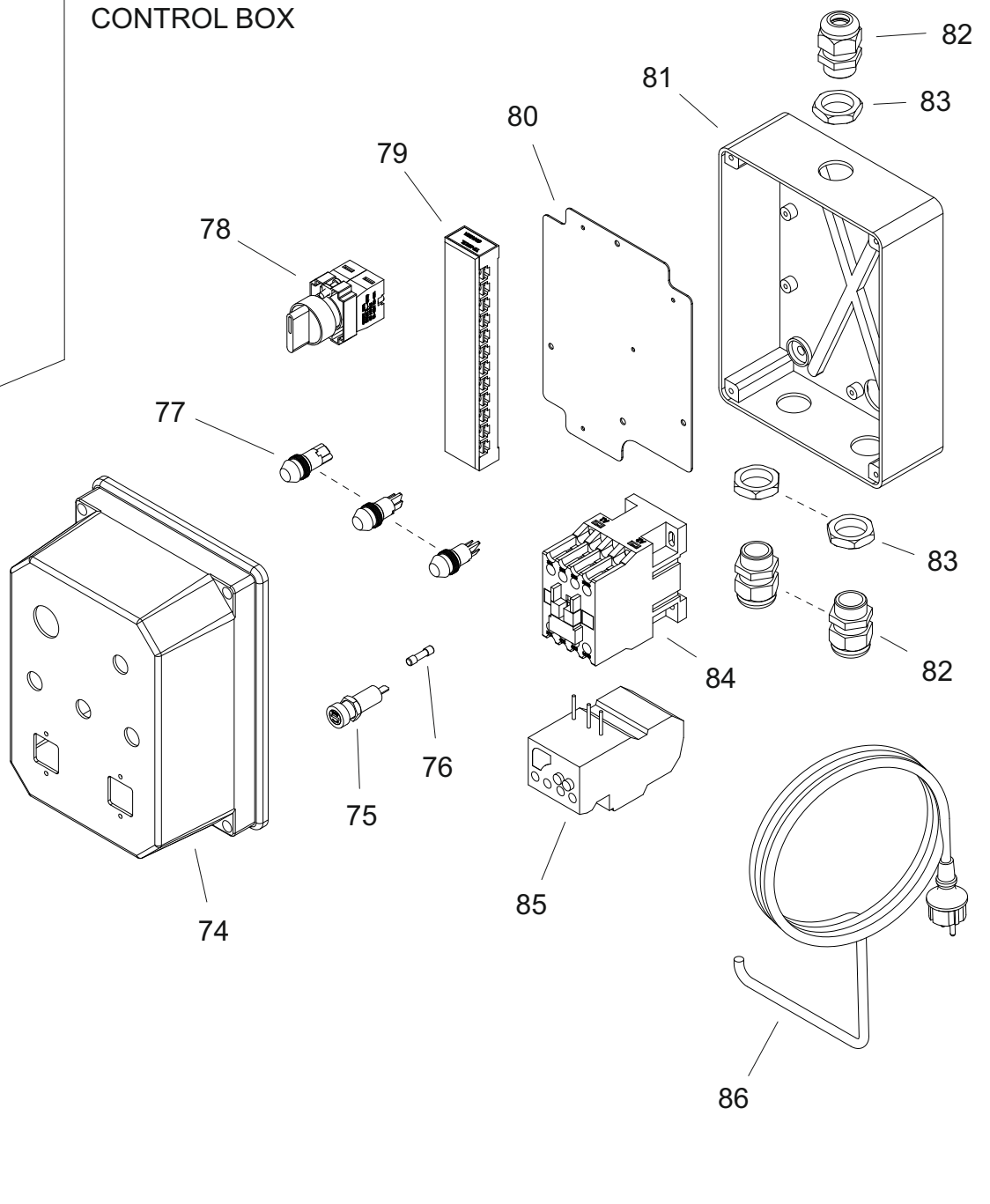
UNIT 2

ILLUSTRATED PARTS BREAKDOWN

THERMOSTAT BOX



CONTROL BOX



MODEL BV 470 FS

UNIT 2

PARTS LIST

Pos.	Code NR	Description	Rev. A - Nov. 2016
1	4514.213	HANDLE	
2	4514.302	BURNER	
3	4514.119	WHEELS BRACKET	
4	4518.109	BURNER STABILIZER	
5	4240.181	CONTROL BOX	
6	4514.143	RIGHT PROTECTION	
7	4240.178	THERMOSTAT BOX	
8	4240.189	EXTERNAL FRONT PANEL	
9	4514.126	BURNER PLATE	
10	4514.605	BURNER INSULATION PLATE	
11	4031.120	PRE-HEATED FILTER	
12	4031.581	90° CONNECTION	
13	4517.785	FILTER BRACKET	
14	4514.144	LEFT PROTECTION	
15	4514.122	BURNER UPPER PROTECTION	
16	4240.188	INSULATION PLATE	
17	4514.117	4 WAY OUTLET	
18	4514.115	EXTERNAL LATERAL PANEL	
19	4514.116	INTERNAL LATERAL PANEL	
20	4514.125	INTERNAL BIG PANEL	
21	4514.118	EXTERNAL BIG PANEL	
22	4514.123	INTERNAL SMALL PANEL	
23	4514.124	EXTERNAL SMALL PANEL	
24	4240.199	COMBUSTION CHAMBER	
25	4514.105	COMBUSTION CHAMBER TURBULIZER	
26	4514.602	COMBUSTION CHAMBER INSULATION PLATE	
27	4514.110	COMBUSTION CHAMBER CHIMNEY	
28	4514.127	BACK EXTERNAL PANEL	
29	4517.784	CHIMNEY COVER PANEL	
30	4514.801	EYE-BOLT	
31	4514.245	THREADED BLOCK	
32	4240.191	ANGULAR PROFILE	
33	4240.215	ALUMINIUM PROFILE - HORIZONTAL (SHORT)	
34	4240.192	ALUMINIUM PROFILE - HORIZONTAL (UPPER)	
35	4240.216	ALUMINIUM PROFILE - VERTICAL	
36	4240.214	ALUMINIUM PROFILE - HORIZONTAL LEFT	
37	4240.213	ALUMINIUM PROFILE - HORIZONTAL RIGHT	
38	4514.711	THERMOSTAT BULB BRACKET	
39	4517.152	THERMOSTAT BULB PROTECTION BRACKET	
40	4510.855	THERMOSTAT BULB CLAMP	
41	4510.872	THERMOSTAT BULB CLIP	
42	4033.879	CLIP	
43	4514.112	AIR DIRECTION SHEET	
44	4514.149	SUPPORTING BEAM	
45	4518.164	INTERNAL FAN PANEL	
46	4514.130	MOTOR BRACKET	
47	5247.007	FAN	
48	5247.301	MOTOR	
49	4514.142	PROTECTION GRILLE	
50	4514.129	FAN PANEL	

MODEL BV 470 FS

UNIT 2

PARTS LIST

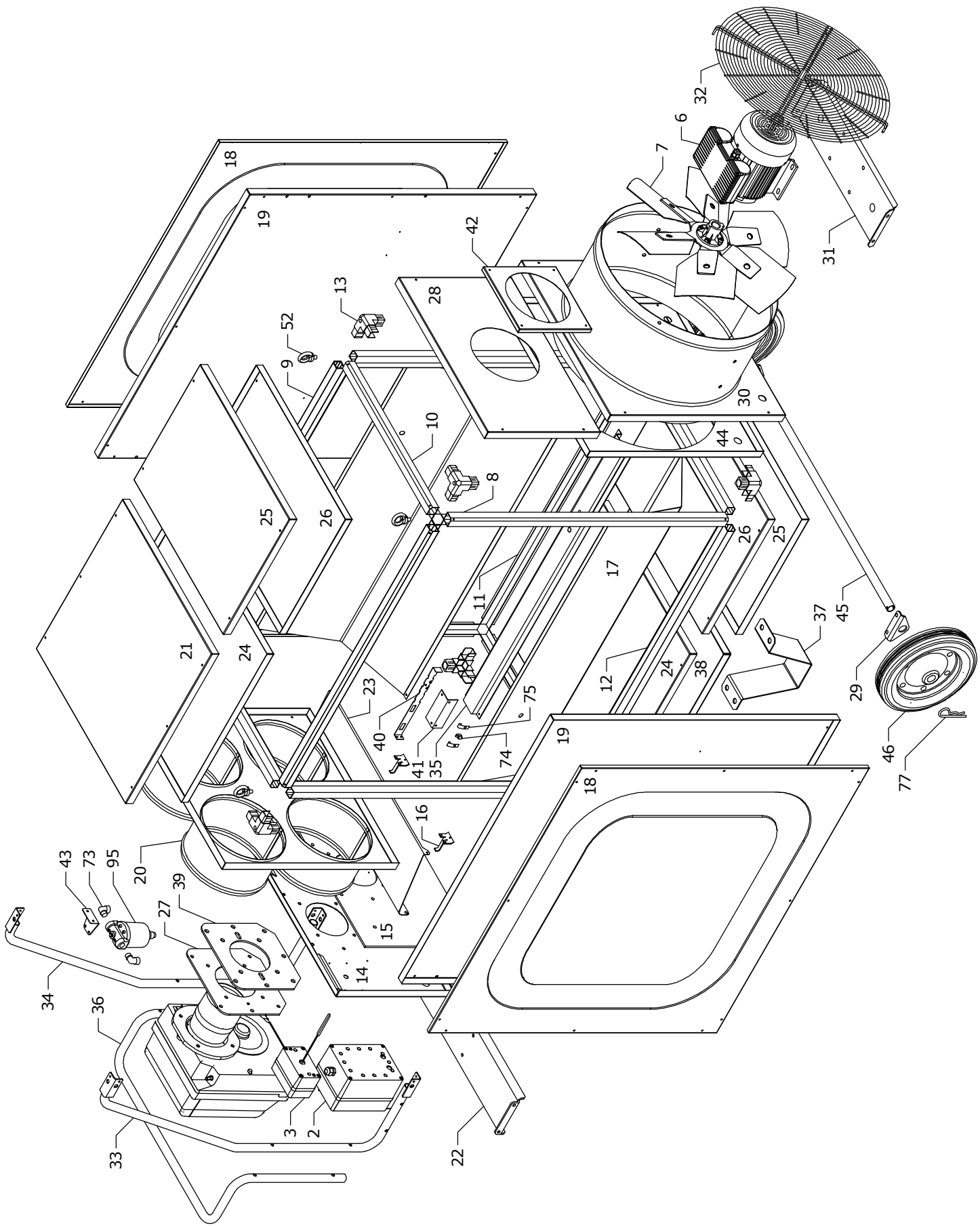
Pos.	Code NR	Description	Rev. A - Nov. 2016
51	4034.230	LOCKNUT	
52	4034.229	STRAIN RELIEF	
53	4514.607	WIRE PROTECTION	
54	4514.128	AXLE BRACKET	
55	4240.017	WHEEL	
56	4514.845	COTTER PIN	
57	4240.019	WHEELS AXLE	
58	4514.230	FRONT SUPPORT	
59	4514.280	EXTERNAL LOWER PANEL	
60	4240.049	CAP	
61	4240.175	BOX COVER	
62	4240.180	THERMOSTAT BRACKET	
63	4240.045	AUTOMATIC RESET THERMOSTAT	
64	4240.179	MANUAL RESET THERMOSTAT	
65	4240.176	BOX BODY	
66	4101.151	CABLE PROTECTION	
67	4160.651	STRAIN RELIEF	
68	4240.275	ANGULAR MOBILE COVER	
69	4161.401	CONNECTION SOCKET	
70	4161.400	CONNECTION PLUG	
71	4514.611	THERMOSTAT SOCKET	
72	4240.187	CONTROL BOX LABEL	
73	4162.467	THERMOSTAT CAP	
74	4240.185	CONTROL BOX COVER	
75	4240.010	FUSE HOLDER	
76	4240.011	FUSE	
77	4117.058	WARNING LIGHT	
78	4240.009	SWITCH	
79	4240.016	TERMINAL BOARD	
80	4240.186	PLATE	
81	4240.184	CONTROL BOX BODY	
82	4150.528	STRAIN RELIEF	
83	4100.656	LOCKNUT	
84	4240.138	CONTACTOR	
85	5247.303	THERMAL RELAY	
86	5247.319	POWER CORD	

BV 470 FS MODEL 2014

UNIT 1

ILLUSTRATED PARTS BREAKDOWN

From Serial Number: 2293400001

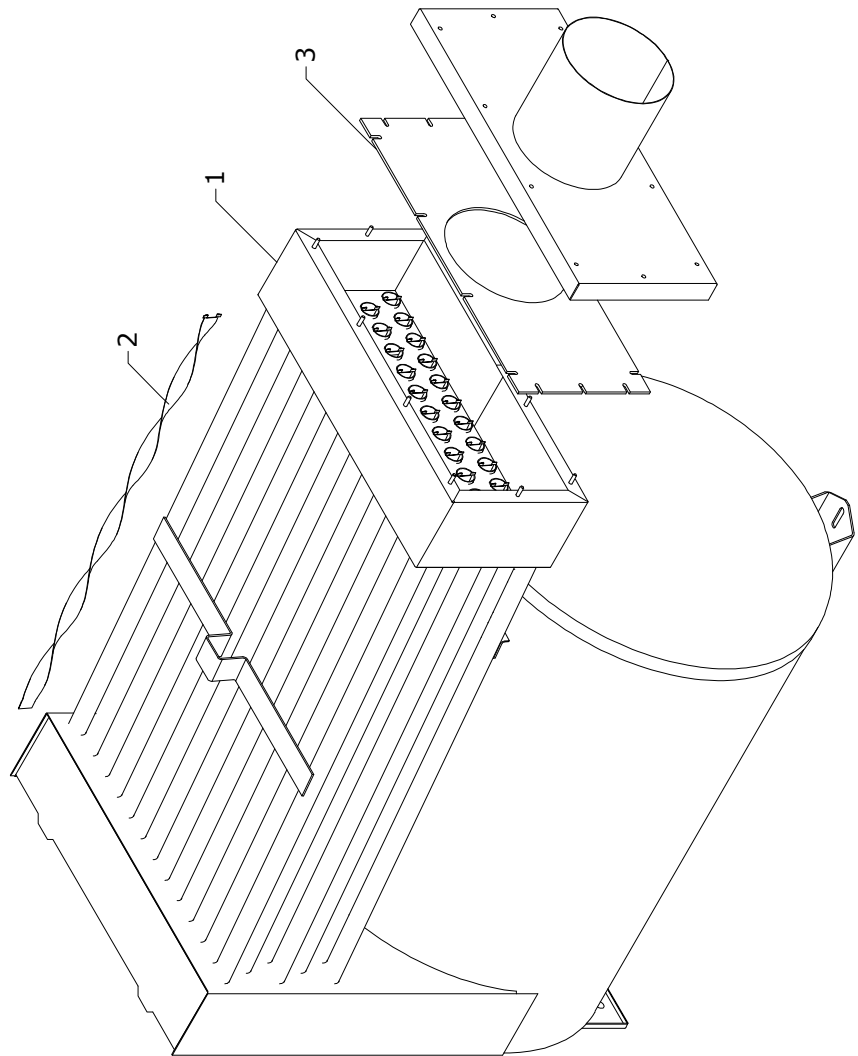
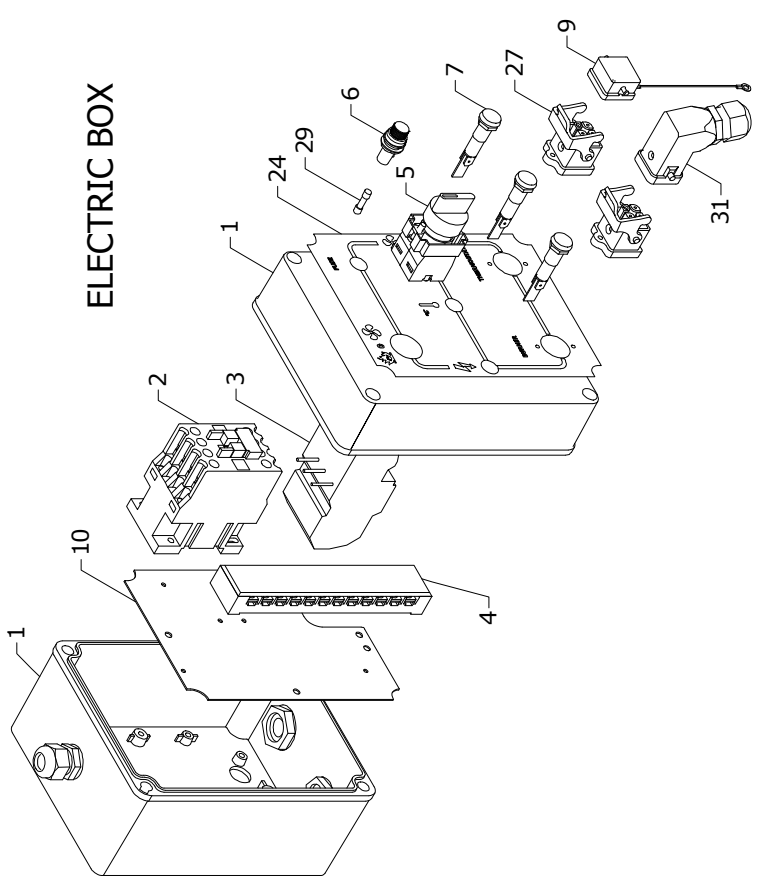
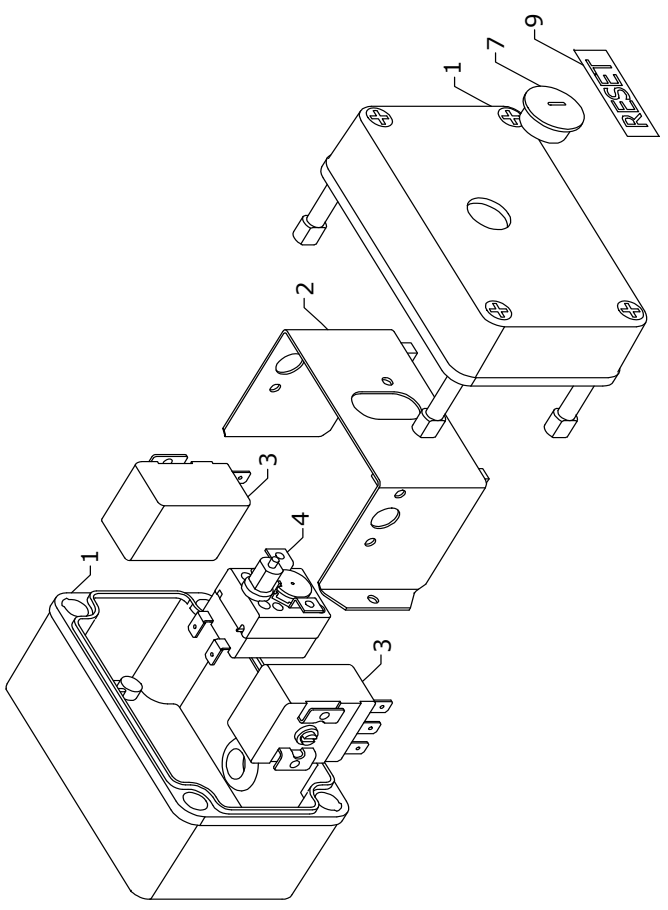


BV 470 FS MODEL 2014

UNIT 2

ILLUSTRATED PARTS BREAKDOWN

From Serial Number: 2293400001



Pos.	Code NR	Description
2	4240.099	ELECTRIC BOX BV470FS
3	4240.021	THERMOSTATS MODUL BV/GREEN A1
6	5241.301	ELECTRIC MOTOR 1,1KW 230V~ 1430RPM IP44 B
7	5247.007	AXIAL FAN FI550/300 6-BLADE (HUB 24X50)
8	4240.001	FRAME PROFILE 30X25X1,75 - 994,5
9	4240.002	FRAME PROFILE 30X25X1,75 - 1060
10	4240.003	FRAME PROFILE 30X25X1,75 - 605
11	4240.035	FRAME PROFILE 30X25X1,75 - 1060 DL
12	4240.036	FRAME PROFILE 30X25X1,75 - 1060 DR
13	4240.004	3-WAY CORNER 30X25X1,75
14	4240.022	EXTERNAL FRONT PANEL BV470 A1
15	4240.028	INTERNAL FRONT HEAT SHIELD BV470 A1
16	4240.064	BURNER STABILIZER BV470
17	4514.112	AIR DIRECTION SHEET BV470
18	4514.115	EXTERNAL SIDE PANEL BV470
19	4514.116	INTERNAL LATERAL PANEL 470
20	4514.117	4-WAY OUTLET BV470 (4X270)
21	4514.118	EXTERNAL TOP BIG PANEL BV470
22	4514.119	WHEELS BRACKET BV470
23	4514.122	BURNER COVER BV470
24	4514.123	INTERNAL TOP SMALL PANEL 470
25	4514.124	EXTERNAL TOP SMALL PANEL BV470
26	4514.125	TOP INTERNAL (BIG) PANEL 470
27	4514.126	BURNER MOUNTING PLATE 470
28	4514.127	BACK PANEL BV470
29	4514.128	HUB BRACKET
30	4514.129	FAN PANEL BV470
31	4514.130	MOTOR BRACKET 470
32	4514.142	PROTECTION GRILL 470
33	4514.143	LEFT BURNER PROTECTION 470
34	4514.144	RIGHT BURNER PROTECTION 470
35	4514.149	SUPPORTING BEAM BV470
36	4514.213	HANDLE BV470F
37	4514.230	FRONT BASE BV470
38	4514.280	EXTERNAL BOTTOM PANEL I BV470
39	4514.605	UNIVERSAL SEALING PLATE 470
40	4514.711	BRACKET FOR CAPILLARIES BV
41	4517.152	COVER OF CAPILLARYS BV
42	4517.784	FLANGE COVER CHIMNEY 200MM BV
43	4517.785	SUPPORT FOR OIL FILTER WITH PREHEATER
44	4518.164	INTERNAL FAN PANEL BV470
45	4240.019	WHEELS AXLE BV470A
46	4240.017	WHEEL METAL-RUBBER D309 D26
52	4240.015	LIFTING EYE BOLT M10 X 17 - A1J
74	4510.855	BAND CLIP 06-11 5
75	4510.872	FITTING THE CAPILLARY TUBE FI 6
77	4514.845	SPRING COTTERS OF A BOLT D25
73	4031.581	CONNECTION 3/8"
95	4031.120	OIL FILTER - PREHEATER

4240.021 THERMOSTATS MODUL BV/GREEN A1

Pos.	Code NR	Description
1	4240.047	PLASTIC ENCLOSURE 130X80X85 A1
2	4240.051	THERMOSTAT SUPPORT A1
3	4240.045	CAPILLARY THERMOSTAT 16A/250V 27,5°C - 87,5°C
4	4240.044	OVER-HEAT THERMOSTAT 16A/250V 90°C-110°C
7	4240.049	HOLE COVER M20X1,5
9	4514.552	LABEL RESET 50X15

4240.099 ELECTRIC BOX BV 470 FS

Pos.	Code NR	Description
1	4240.020	ENCLOSURE BV/GREEN 150X200X130
2	4240.008	CONTACTOR 3P 240V 50/60HZ ~ 7,5KW 1NO
3	5247.303	THERMAL RELAY 7-10A
4	4240.016	TERMINAL BLOCK 25A/600V 12T 0.5-2.5 ²
5	4240.009	SWITCH 3P (NO) 415V 10A
6	4240.010	FUSE HOLDER 5X20-12 10A 250V
7	4514.415	LIGHT INDICATOR 230V IP44 D9,5
9	4260.168	CAP COMPLETE WITH PIN 2-3
10	4240.018	ELECTRIC COMPONENTS PLATE SK 1
24	4240.042	LABEL ELECTRIC BOX BV
27	4514.611	SOCKET CASE
29	4240.011	FUSE 5X20 5A 250V
31.1	5247.311	PLUG COVER HEAVY DUTY CONNECTOR ANGULAR
31.2	5247.313	PLASTIC CABLE GLAND M20
31.3	4514.405	MALE INSERT 3P+PE

4240.100 COMBUSTION CHAMBER 470 A1 COMPLETE

Pos.	Code NR	Description
1	5247.013	COMBUSTION CHAMBER 470 A1
2	4514.105	TURBULISER 470
3	4240.101	EXIT SMOKE CHAMBER SEAL 470 A1

BV 470 FS MODEL 2011/2012

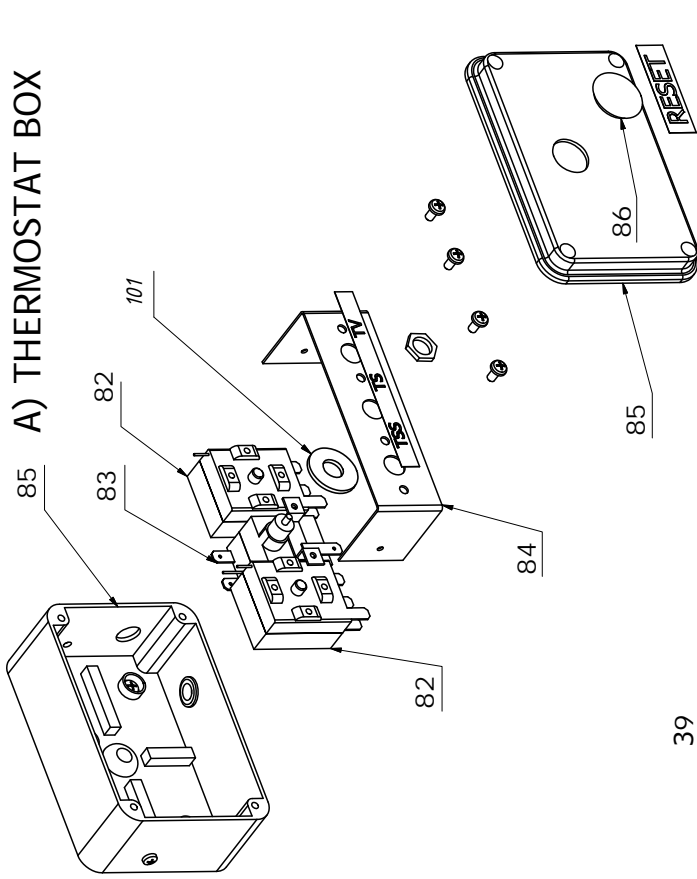
UNIT 2

ILLUSTRATED PARTS BREAKDOWN

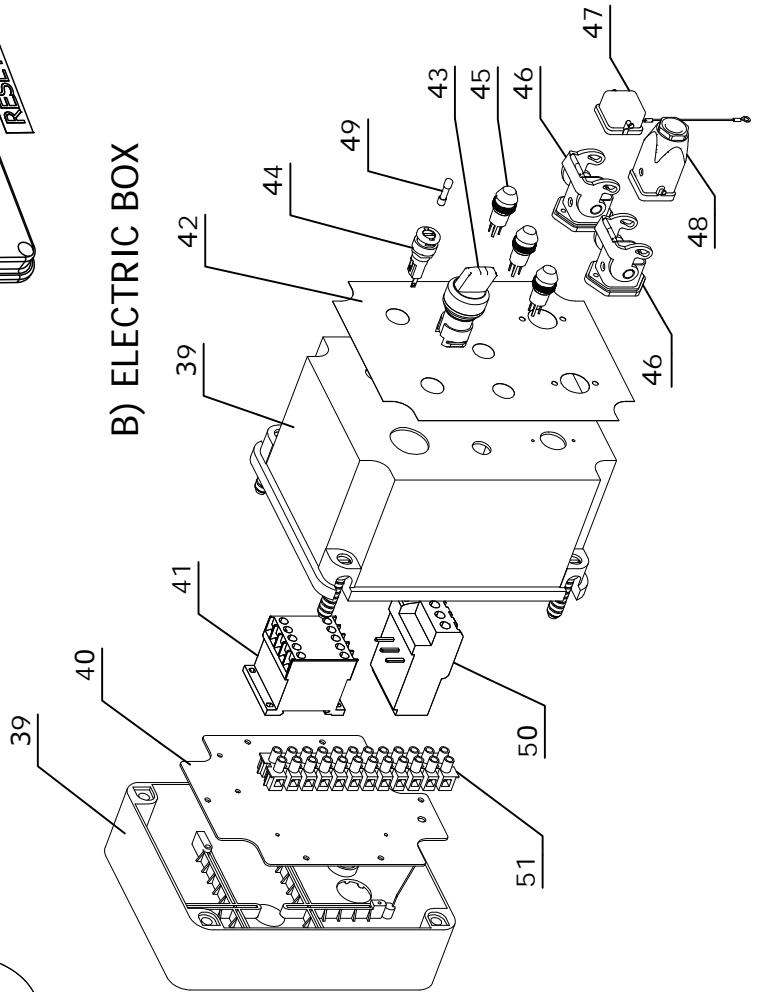
From Serial Number: 10033000175

Edizione 2012
Rev. A

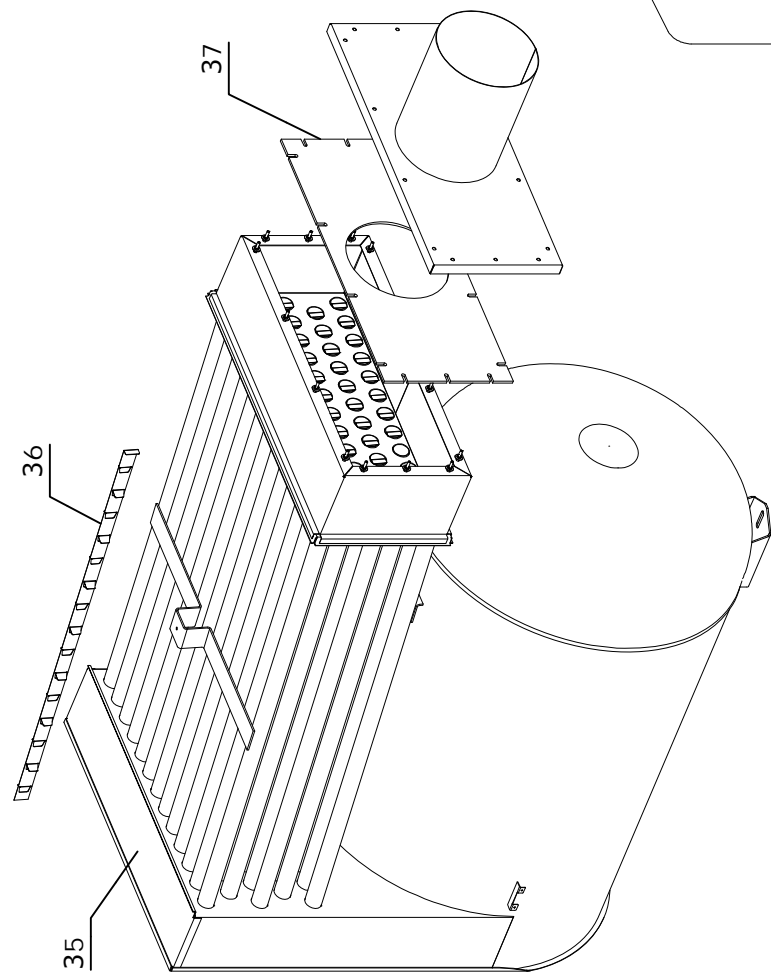
A) THERMOSTAT BOX



B) ELECTRIC BOX



COMBUSTION CHAMBER



Pos.	Code NR	Description
1	4514.144	Right Burner Protection
2	4514.143	Left Burner Protection
3	4514.126	Universal Slab
4	4514.605	Universal Slab Seal
5	S/R	Burner Cover
6	S/R	Top Bottom External Panel
7	S/R	Top Internal Panel
8	S/R	Top External Panel
9	S/R	Bottom External Panel
10	S/R	External Lateral Panel
11	S/R	Internal Lateral Panel
12	S/R	Rear Panel
13	S/R	Chimney Bottom
14	S/R	Fan Panel
15	S/R	Support Bracket
16	4514.301	Fan
17	4514.300	Motor
18	4514.142	Protection Grill
19	4514.150	Wheels Axle
20	4514.128	Hub Bracket
21	4514.600	Black Rubber Wheel Diam. 300
22	4514.803	Fixing Washer For Shaft With Cup
23	S/R	Front Panel Slab
24	4514.604	Burner Thermic Insulator
25	S/R	Chamfered Profile For Panel 25 L=605
26	S/R	Chamfered Profile For Panel 25 L=1060
27	S/R	Chamfered Profile For Panel 25 L=994,5
28	S/R	3 Way Corner For Chamfered Profile
29	S/R	Air Direction Sheet
30	S/R	Combustion Chamber Bracket
31	S/R	Wheels Bracket
32	4514.117	4-Way Panel
32	4514.097	1-Way Panel (Optionally)
34	4514.801	Lifting Eye Bolt M8
35	4514.151	Combustion Chamber
36	4514.105	Bracket For Turbulence

Pos.	Code NR	Description
37	4514.602	Exit Smoke Chamber Seal
39	4514.609	Waterprof Case (Front And Back)
40	4514.141	Electric Components Plate
41	4514.416	Contactora 4Kw 400V for BV 470 FS
42	4514.565	Panels Label
43	4514.402	Switch 3P
44	4514.400	Fuseholder 5X20, 6,3A
45	4514.415	Indicator Light 230V
46	4514.611	Socket Case
47	4162.467	Cap For Thermostat Plug
48	4111.118	Thermostat Plug
49	4514.409	Fuse 5X20 3,15A 250V
50	4514.417	Thermal Relay 6-9A for BV 470 FS
51	4514.404	Terminal Block 12T 4^2
52	4514.230	Front Base Panel
54	4514.302	Oil Burner RG3 F
55	4031.120	Oil Pre Heater
56	S/R	Flange
58	S/R	Bottom External Panel I
59	4514.213	Holder
82	4514.422	Capillary Thermostat
83	4514.433	Over-Heat Termostat 16A/250V 90°C-110°C
84	4514.799	Thermostat Support
85	4514.623	Thermostat Plastic Box (Front And Back)
86	4514.624	Button Plug
87	4518.109	Burner Stabilizer Bv470
88	4517.152	Cover Of Capillary Bv
89	4514.711	Bracket For Capillary Bv
90	4514.245	Threaded Block
91	4514.161	Support For Oil Filter With Preheater
101	4514.841	Distance Washer fi10x2
A	4514.430	Thermostat Box
B	4514.412	Electric Box for BV 470 FS

S/R = Parts available on special request only